

MOUNTING OPTIONS



Universal Mount

Adjustable angle and depth options. Uses a 1 in. (25 mm) nominal threaded or unthreaded pipe, supplied by customer. Simple Swivel bracket allows unit to rotate and direct water flow to desired area.*



Industrial Mount

Adjustable angle and depth options. Suitable in areas where there may be moving ice or strong currents. Uses a 1.5 in. (40 mm) nominal threaded or unthreaded pipe, customer supplied. Simple Swivel bracket allows unit to rotate and direct water flow to desired area.*



*Kasco U-bolt Kits can be used in addition to dock mount kits for flexible installation without needing to drill. Purchased separately.

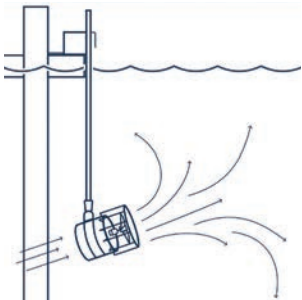


Suspended Operation

Each unit comes standard with (2) 20 ft. mooring ropes for easy operation.

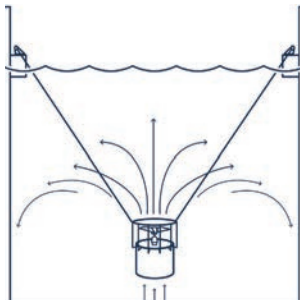
Contact us today to learn more
715.262.4488 | kascomarine.com

INSTALLATION OPTIONS



Angled Installation

Angled installation creates an oblong-shaped opening at surface of ice.



Vertical Installation

Vertical installation creates a circular-shaped opening at surface of ice.

Kasco[®]

800 Deere Road
Prescott, WI 54021
715.262.4488
kascomarine.com

© Kasco Marine, Inc., 2026

Kasco[®]

MOVING WATER FORWARD, SINCE 1968



DE-ICERS

Defending Your Dock From
Ice for More Than 50 Years

Contact us today to learn more

715.262.4488 | kascomarine.com

KASCO DE-ICERS

PROTECT YOUR WATERFRONT FROM ICE DAMAGE

De-icers push warm bottom water to the surface creating an ice-free area of protection around your boat, dock, pier, or other waterfront property. They help protect fish and aquatic species by allowing for open areas where oxygen can enter the water.

- Includes (2) 20 ft. suspension ropes
- Offered as 120V (60Hz), 208-240V (60Hz), or 220-240V (50Hz)
- 60Hz units are ETL Listed to CSA and UL Standards
- 50Hz units are approved to CE Standards

HP 1/2, 3/4, & 1HP AVAILABLE

 3-YEAR WARRANTY



OUTPERFORMS THE COMPETITION

Kasco De-icers create more thrust than any other competitor. More thrust means more open water to better protect your property.

DE-ICER PRODUCT AND SIZING GUIDES

Use the tables below to determine your de-icer unit size.

MODEL (60Hz)	HP	VOLT (V)	AMPS	THRUST (LB)
2400D	1/2	120	5.4	31
3400D	3/4	120	6.6	37
3400HD	3/4	208-240	3.1	37
4400D	1	120	9.1	42
4400HD	1	208-240	4.5	42

Choose which temperature best describes your application and which mounting orientation you need.

AIR TEMPERATURE: 20° to 34° F (-6.6° to 1° C)			
ANGLED ORIENTATION		VERTICAL ORIENTATION	
HP	Open Water	HP	Open Water
1/2	30 ft. x 100 ft. (9 m x 30.5 m)	1/2	65 ft. (20 m)
3/4	35 ft. x 120 ft. (11 m x 36.5 m)	3/4	85 ft. (26 m)
1	40 ft. x 150 ft. (12 m x 46 m)	1	90 ft. (27.5 m)

AIR TEMPERATURE: 0° to 19° F (-17.7° to -7° C)			
ANGLED ORIENTATION		VERTICAL ORIENTATION	
HP	Open Water	HP	Open Water
1/2	25 ft. x 60 ft. (7 m x 18 m)	1/2	50 ft. (15 m)
3/4	30 ft. x 80 ft. (9 m x 24 m)	3/4	70 ft. (21 m)
1	35 ft. x 90 ft. (11 m x 27.5 m)	1	80 ft. (24 m)

AIR TEMPERATURE: -20° to -1° F (-29° to -18.3° C)			
ANGLED ORIENTATION		VERTICAL ORIENTATION	
HP	Open Water	HP	Open Water
1/2	25 ft. x 55 ft. (7 m x 17 m)	1/2	35 ft. (11 m)
3/4	30 ft. x 75 ft. (9 m x 23 m)	3/4	50 ft. (15 m)
1	35 ft. x 85 ft. (11 m x 26 m)	1	65 ft. (20 m)

AIR TEMPERATURE: BELOW -20° F (BELOW -29° C)			
ANGLED ORIENTATION		VERTICAL ORIENTATION	
HP	Open Water	HP	Open Water
1/2	20 ft. x 40 ft. (6 m x 12 m)	1/2	30 ft. (9 m)
3/4	25 ft. x 50 ft. (7 m x 15 m)	3/4	45 ft. (11 m)
1	30 ft. x 60 ft. (9 m x 18 m)	1	55 ft. (17 m)

CONTROL PANELS

Allow energy-saving automatic control of your Kasco De-icer.

Select your desired temperature and/or time settings, and the control panel will do the rest.



C-10 Thermostat-Only Control Panel



C-20 Time & Temperature Control Panel



C-220 Timer-Only Control Panel