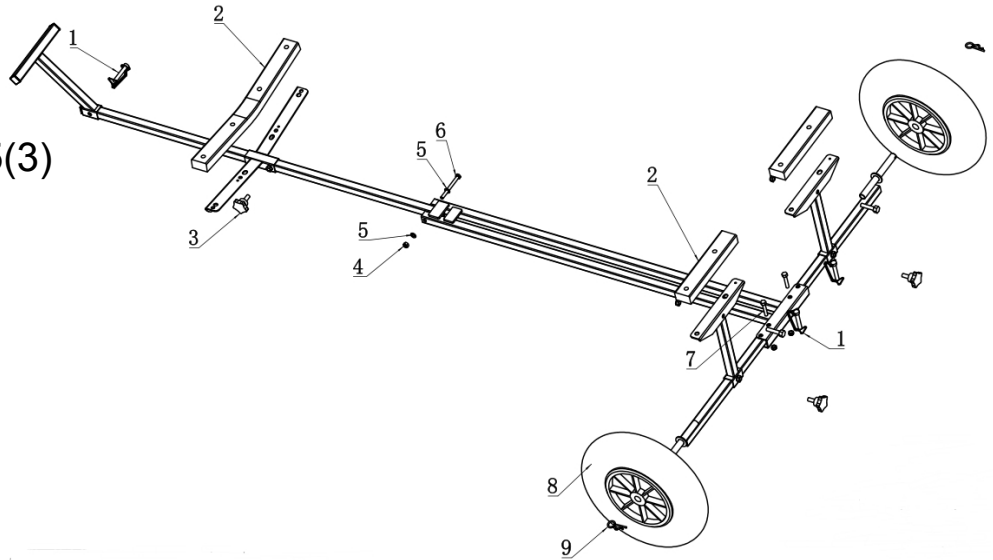


RUBBER BOAT TRAILER

COMPONENT LIST

- 1 Square clip Ø 8 (3)
- 2 Rubber pad 50x530 (2)
- 3 Hand screw bolt M10X25(3)
- 4 Hex Nut M8 (5)
- 5 Washer Ø 8 (2)
- 6 Hex bolt M8X90 (1)
- 7 Hex bolt M8X45 (4)
- 8 Wheel Ø 400 (2)
- 9 R pin Ø3.5 (2)



- For transport of rubber boats
- Inspect the trailer before use
- Make sure that all parts are securely fastened and in working order
- Easy to install by yourselves

